



Air Gaps and Backflow Prevention.

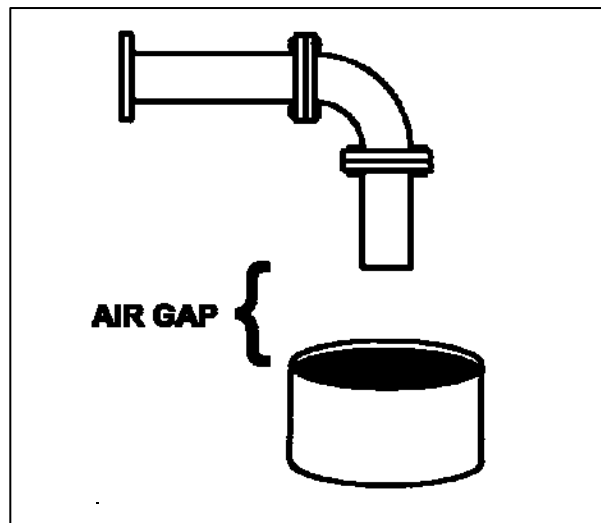
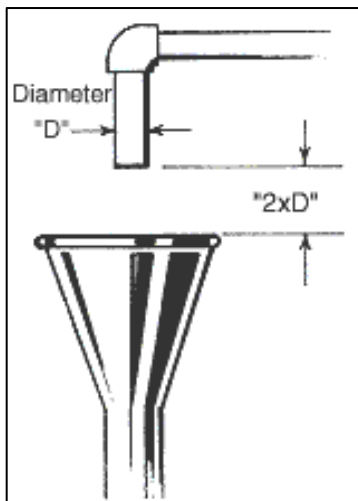
(Per OAR Food Sanitation Rules)

5-202.13 Backflow Prevention, Air Gap.*

An air gap between the water supply inlet and the flood level rim of the plumbing fixture, equipment, or nonfood equipment shall be at least twice the diameter of the water supply inlet and may not be less than 25 mm (1 inch).

5-402.11 Backflow Prevention.*

(A) Except as specified in ¶¶ (B) and (C) of this section, a direct connection may not exist between the sewage system and a drain originating from equipment in which food, portable equipment, or utensils are placed.



Example of a floor sink:

